

# Single Phase Full-Wave Motor Driver for Fan Motor AM7232S

This is the summary of application for AM7232S optimum for driving 12V fan for general consumer equipment. The most attractive function of AM7232S is slope adjust by external resistor, that can meet most of fan request. This IC employs soft switching drive, Bi-CMOS process, and realizes silent drive, low ON resistor, and low power consumption. This also incorporate lock protection and auto restart circuit which does not require external capacitor.

## ● Applications

Optimum for driving 12V fan for general consumer equipment

## ● Features

- |   |   |
|---|---|
| 1) Slope adjust mode for VH and VL pin control.                 | 6) Power Tr incorporated.   |
| 2) Soft switched drive.   | 7) Hall Bias voltage built-in.  |
| 3) PWM speed control.   | 8) Soft start function built-in for reducing power up acoustic noise. |
| 4) Rotating speed pulse signal (FG) output.                     | 9) Stop mode duty adjustable.   |
| 5) Incorporating lock protection and automatic restart circuit. |   |

## ● Absolute Maximum Ratings (Ta = 25°C)

Parameter	Symbol	Limits	Unit
Supply voltage	$V_{CC}$	18	V
Output current	$I_{omax}$	1500	mA
FG single output current	$I_{FG}$	10	mA
FG single output voltage	$V_{FG}$	18	V
Vref output current	$I_{ref}$	10	mA
HB output current	$I_{HB}$	10	mA
High duty slope setting voltage	VH	6	V
Low duty slope setting voltage	VL	6	V
Stop mode setting voltage	VStop	6	V
Power dissipation (JEDEC 2S2P PCB)	$P_d$	4500*	mW
Operate temperature range	$T_{opr}$	-25 ~ +105	°C
Storage temperature range	$T_{stg}$	-55 ~ +150	°C
Junction temperature	$T_{jmax}$	150	°C

\*  $P_d$  de-rated by 36mW/°C over 25°C (based on JEDEC 2S2P board)

Those are stress rating only and functional operating at those conditions for extended periods may damage to the device.

● **Recommended operating conditions**

(Set the power supply voltage taking allowable dissipation into considering)

Parameter	Symbol	Min	Typ	Max	Unit
Operating supply voltage range	V <sub>CC</sub>	2.5~15			V
Hall input voltage range	V <sub>HB</sub>	0.2~2.1			V
High duty slope setting voltage range	V <sub>H</sub>	0~V <sub>ref</sub>			V
Low duty slope setting voltage range	V <sub>L</sub>	0~V <sub>ref</sub>			V
Stop Mode setting voltage range	V <sub>Stop</sub>	0~V <sub>ref</sub>			V

● **Electrical Characteristics**

(Unless otherwise specified, T<sub>a</sub> = 25°C, V<sub>CC</sub> = 12V)

Parameter	Symbol	Limit			Unit	Conditions
		Min	Typ	Max		
Supply current 1	I <sub>CC1</sub>	1	3	6	mA	PWM=GND
Supply current 2	I <sub>CC2</sub>	2	5	8	mA	PWM=OPEN
Reference Voltage	V <sub>REF</sub>	4.5	5	5.5	V	I <sub>vref</sub> =5mA
Hysteresis of STOP mode	V <sub>StopH</sub>	50	110	170	mV	V <sub>ref</sub> =5V
<b>Hall input</b>						
Input offset voltage	V <sub>HOFs</sub>	—	—	±6	mV	
<b>PWM input</b>						
Input H level	V <sub>PWMH</sub>	2.5	—	V <sub>ref</sub>	V	
Input L level	V <sub>PWML</sub>	-0.3	—	0.8	V	
Input frequency	F <sub>PWM</sub>	5	—	100	kHz	
<b>Output</b>						
Output voltage	V <sub>O</sub>	—	0.4	0.6	V	I <sub>o</sub> =200mA(Upper + Lower)
Input-output Gain	G <sub>IO</sub>	51	54	57	dB	
FG low voltage	V <sub>FGL</sub>	—	0.3	0.4	V	I <sub>FG</sub> = 5mA
FG leakage current	I <sub>FGL</sub>	—	—	20.0	μA	V <sub>FG</sub> = 15V
Input hysteresis voltage	V <sub>HYS</sub>	±10	±17	±25	mV	
Hall bias voltage	V <sub>HB</sub>	1.0	1.15	1.3	V	I <sub>HB</sub> =-5mA
<b>Lock protection</b>						
Lock detection ON time	T <sub>ON</sub>	0.35	0.50	0.65	Sec	
Lock detection OFF time	T <sub>OFF</sub>	3.5	5.0	6.5	Sec	

● **Block Diagram**

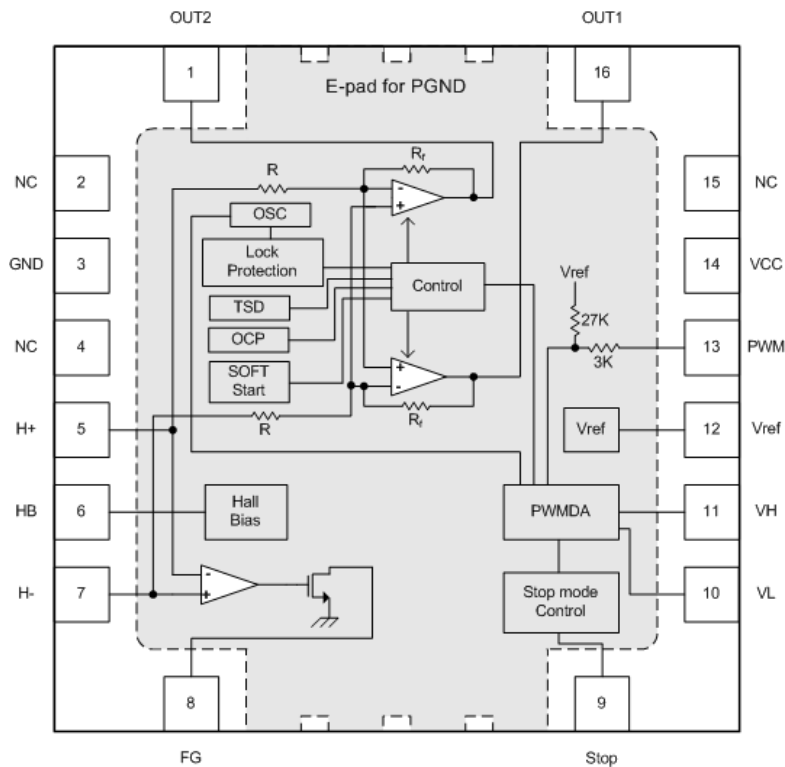


Fig1. Block diagram

● **Pin Description**

PIN No	Pin Name	Function	PIN No	Pin Name	Function
1	OUT2	Motor output terminal	9	Stop	Stop mode setting terminal
2	NC	No Connect	10	VL	Hi duty slope setting terminal
3	GND	Analog ground terminal	11	VH	Low duty slope setting terminal
4	NC	No Connect	12	VREF	Reference Voltage terminal
5	H+	Hall input terminal	13	PWM	PWM signal input terminal
6	HB	Hall Bias	14	VCC	Power supply terminal
7	H-	Hall input terminal	15	NC	No Connect
8	FG	FG signal output terminal	16	OUT1	Motor output terminal
E-PAD	PGND	Power ground terminal			

● **Truth Table**

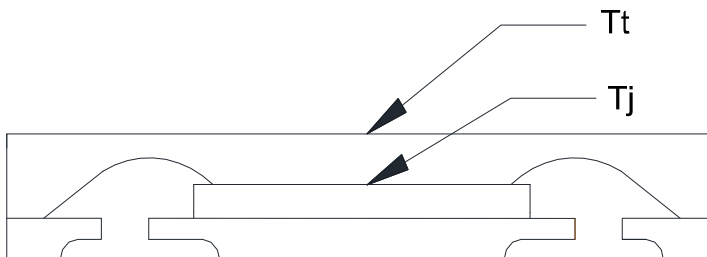
H+	H-	PWM	OUT1	OUT2	FG	Mode
H	L	H	H	L	L (Output Tr : ON)	Operation mode
L	H		L	H	Z (Output Tr : OFF)	
H	L	L	L	L	L (Output Tr : ON)	
L	H		L	L	Z (Output Tr : OFF)	
H	L	-	L	L	L (Output Tr : ON)	Lock mode
L	H		L	L	Z (Output Tr : OFF)	

Z : Open drain output (High impedance)

● **Thermal Information**

<b>Θ<sub>ja</sub></b>	junction-to-ambient thermal resistance	27.78°C/W
<b>Ψ<sub>jt</sub></b>	junction-to-top characterization parameter	1.35°C/W

- **Θ<sub>ja</sub>** is obtained in a simulation on a JEDEC-standard 2s2p board as specified in JESD-51.
- The **Θ<sub>ja</sub>** number listed above gives an estimate of how much temperature rise is expected if the device was mounted on a standard JEDEC board.
- When mounted on the actual PCB, the **Θ<sub>ja</sub>** value of JEDEC board is totally different than the **Θ<sub>ja</sub>** value of actual PCB.
- **Ψ<sub>jt</sub>** is extracted from the simulation data to obtain **Θ<sub>ja</sub>** using a procedure described in JESD-51, which estimates the junction temperature of a device in an actual PCB.
- The thermal characterization parameter, **Ψ<sub>jt</sub>**, is proportional to the temperature difference between the top of the package and the junction temperature. Hence, it is useful value for an engineer verifying device temperature in an actual PCB environment as described in JEDEC JESD-51-12.
- When Greek letters are not available, **Ψ<sub>jt</sub>** is written Psi-jt.
- Definition:



DEFINITION:  $\Psi_{jt} = (T_j - T_t) / P_d$

Where :

**Ψ<sub>jt</sub>** (Psi-jt) = Junction-to-Top(of the package) °C/W

**T<sub>j</sub>**= Die Junction Temp. °C

**T<sub>t</sub>**= Top of package Temp at center. °C

**P<sub>d</sub>**= Power dissipation. Watts

- Practically, most of the device heat goes into the PCB, there is a very low heat flow through top of the package, So the temperature difference between **T<sub>j</sub>** and **T<sub>t</sub>** shall be small, that is any error caused by PCB variation is small.
- This constant represents that **Ψ<sub>jt</sub>** is completely PCB independent and could be used to predict the **T<sub>j</sub>** in the environment of the actual PCB if **T<sub>t</sub>** is measured properly.

---

- **How to predict Tj in the environment of the actual PCB**

Step 1 : Used the simulated  $\Psi_{jt}$  value listed above.

Step 2 : Measure Tt value by using

- **Thermocouple Method**

We recommend use of a small ~40 gauge (3.15mil diameter) thermocouple. The bead and thermocouples wires should touch the top of the package and be covered with a minimal amount of thermally conductive epoxy. The wires should be heat-insulated to prevent cooling of the bead due to heat loss into wires. This is important towards preventing “too cool” Tt measurements, which would lead to the calculated Tj also being too cool.

- **IR Spot Method**

An IR Spot method should be utilized only when using a tool with a small enough spot area to acquire the true top center “hot spot”.

Many so-called “small spot size” tools still have a measurement area of 0~100+mils at “zero” distance of the tool from the surface. This spot area is too big for many smaller packages and likely would result in cooler readings than the small thermocouple method. Consequently, to match between spot area and package surface size is important while measuring Tt with IR sport method.

Step 3 : calculating power dissipation by

$$P \cong (VCC - |Vo_{Hi} - Vo_{Lo}|) \times I_{out} + VCC \times I_{cc}$$

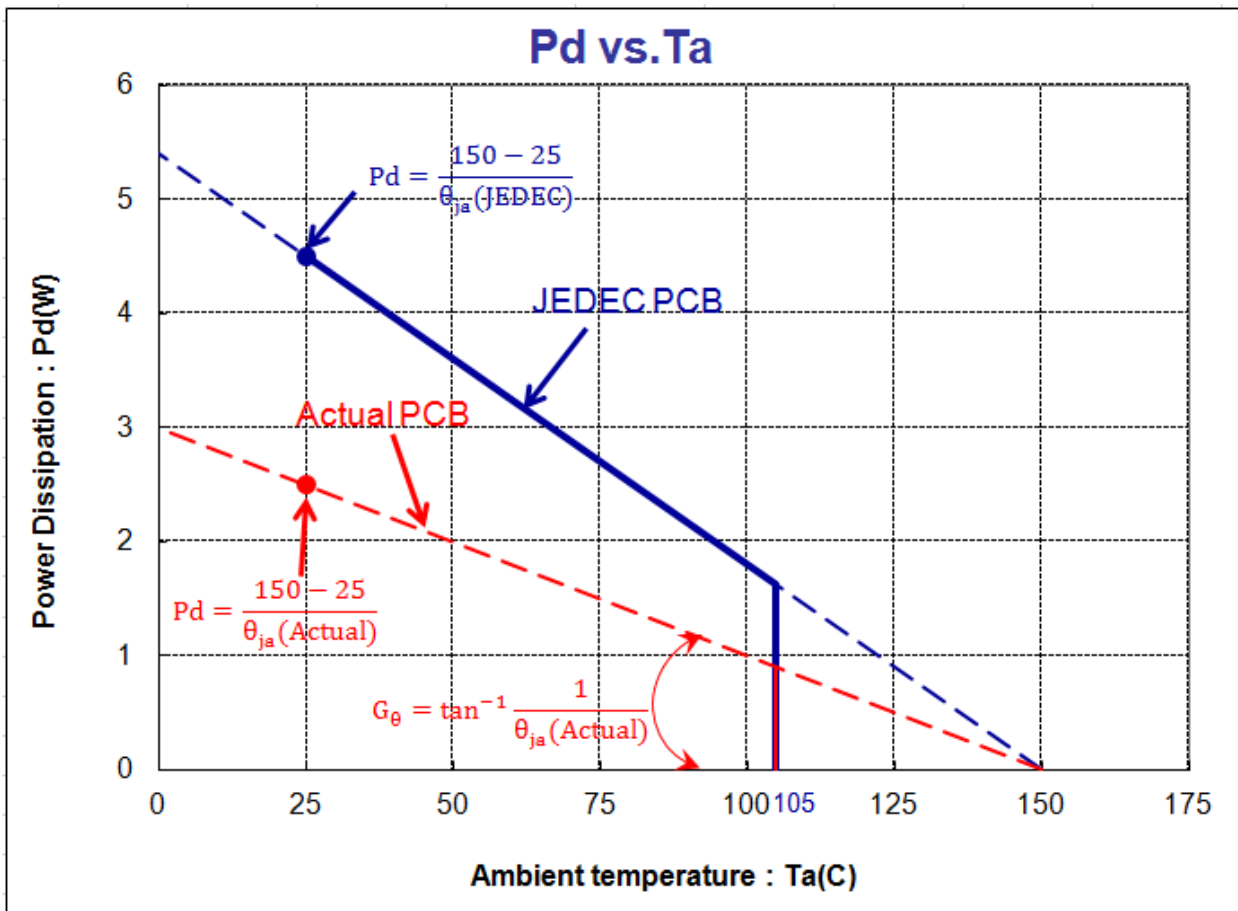
Step 4 : Estimate Tj value by

$$Tj = \Psi_{jt} \times P + Tt$$

Step 5: Calculated  $\Theta_{ja}$  value of actual PCB by the known Tj

$$\Theta_{ja}(\text{actual}) = (Tj - Ta) / P$$

Maximum Power Dissipation (de-rating curve) under JEDEC PCB & actual PCB



### ● Application circuit

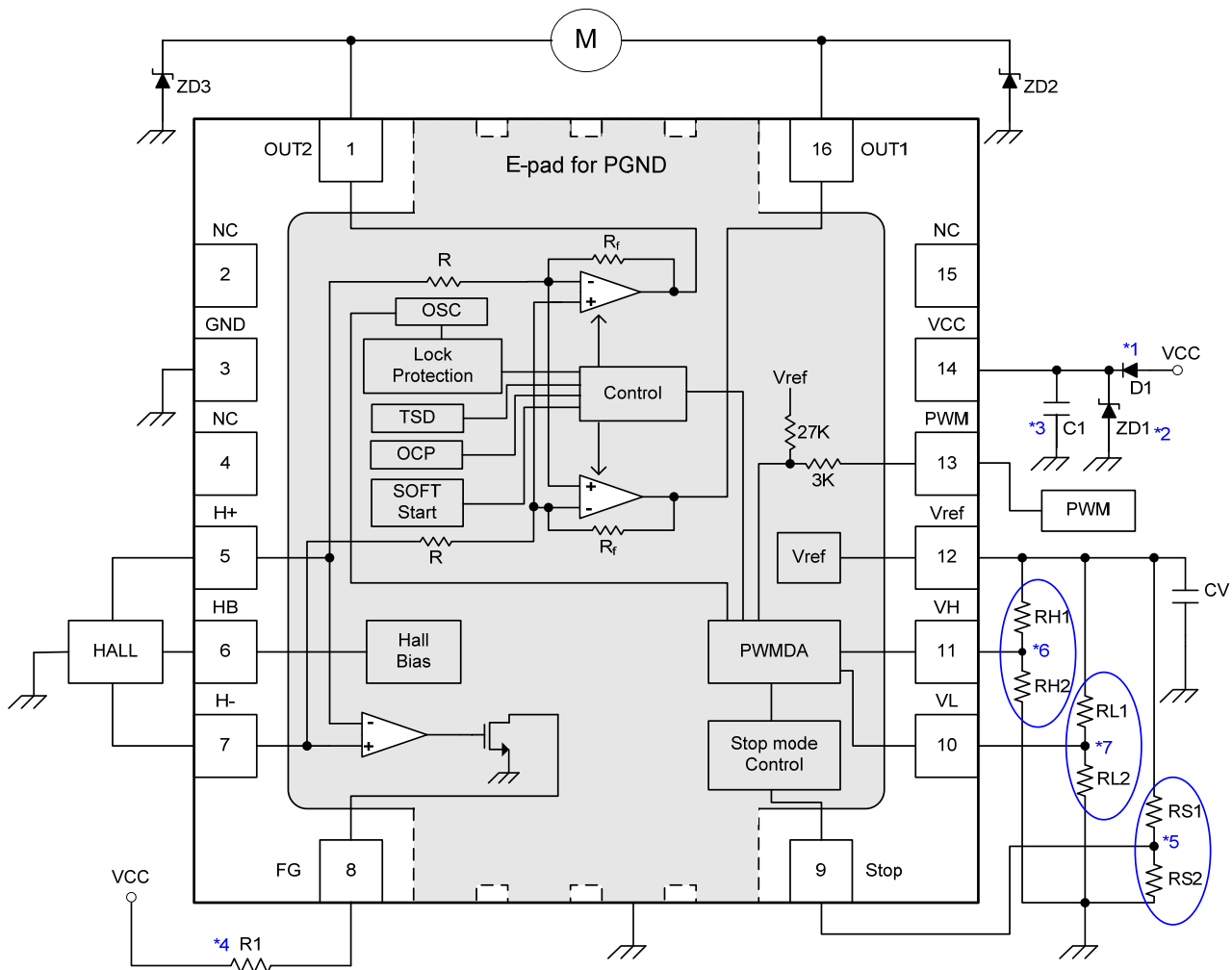


Fig2. Application circuit

1. Reverse connection of power supply may break the device. A countermeasure is needed such as using reverse current protection diode (D1) between power supply and  $V_{CC}$  terminal.

The BEMF causes re-circulate current to power supply, when power-on or output changes. It may cause  $V_{CC}$  terminal to raise voltage, especially using reverse current protection diode (D1) because there is no way to return current back to power supply. In such case, please take necessary measures like below.

2. Connect a Zener diode (ZD1) between  $V_{CC}$  and GND terminal not to exceed the absolute maximum rating voltage.
3. Connect a capacitor (C1) between VCC and GND terminal to make a path of return current to power supply.
4. Open drain output. A pull-up resistances of 10k $\Omega$  should be inserted.

5. Stop Mode Control:

When the IC using as Stop Mode control. The Stop Mode is setting by Stop pin, and Stop Duty can be adjusted by RS1 and RS2 ratio. The relation is shown as the Fig. 3 below. When not need this feature, set the Stop pin connected to Vref, avoid noise interference.

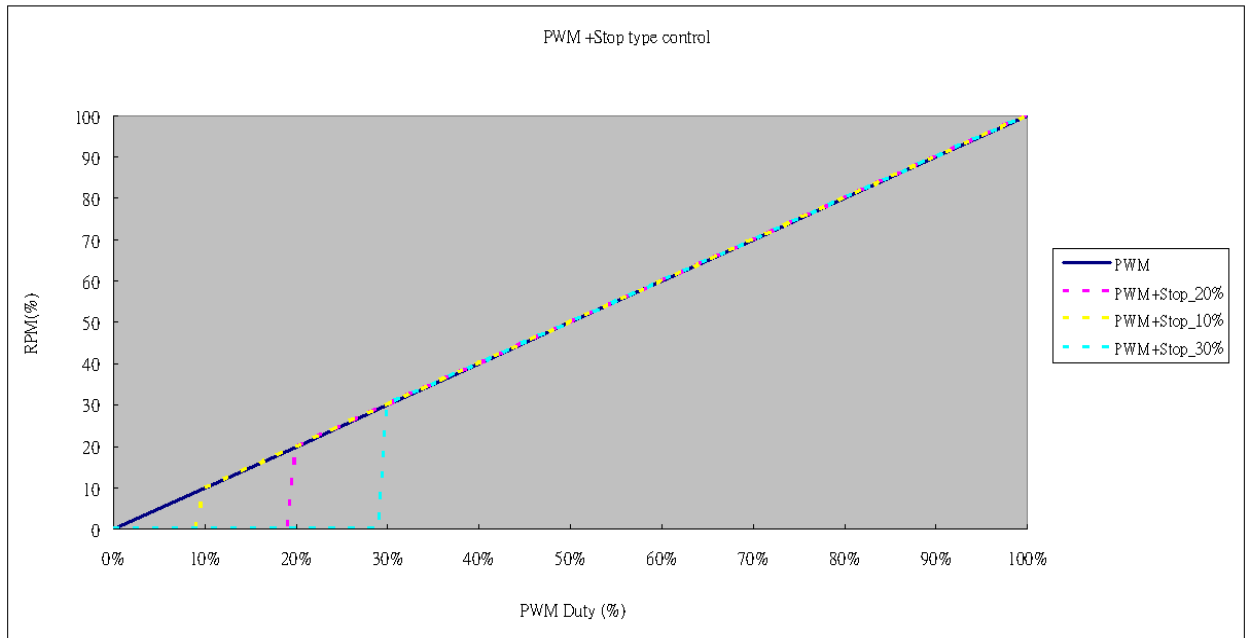


Fig.3 Stop mode control

6. Slope Low duty control:

When the IC using as Slope low duty control. The low duty control is setting by VH pin, and low duty control can be adjusted by RH1 and RH2 ratio. Typical setting is 0.75VREF, The relation is shown as the Fig. 4 below.

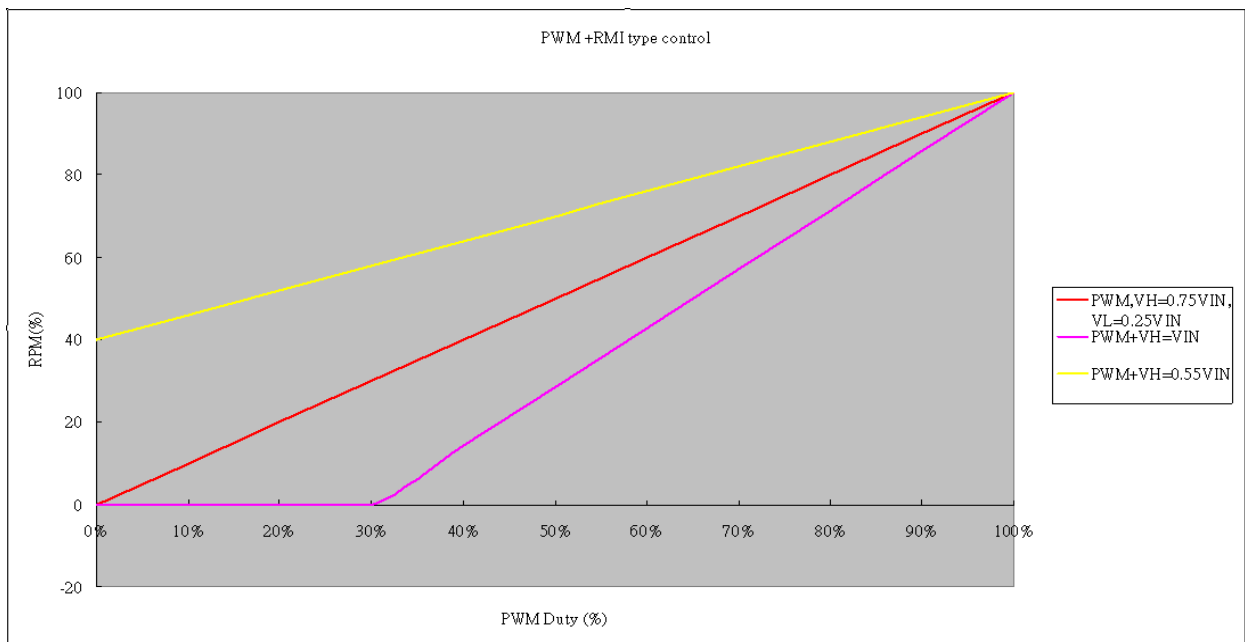


Fig.4 Slope low duty control



7. Slope Hi duty control:

When the IC using as Slope Hi duty control. The Hi duty control is setting by VL pin, and Hi duty control can be adjusted by RL1 and RL2 ratio. Typical setting is 0.25VREF. The relation is shown as the Fig. 5 below.

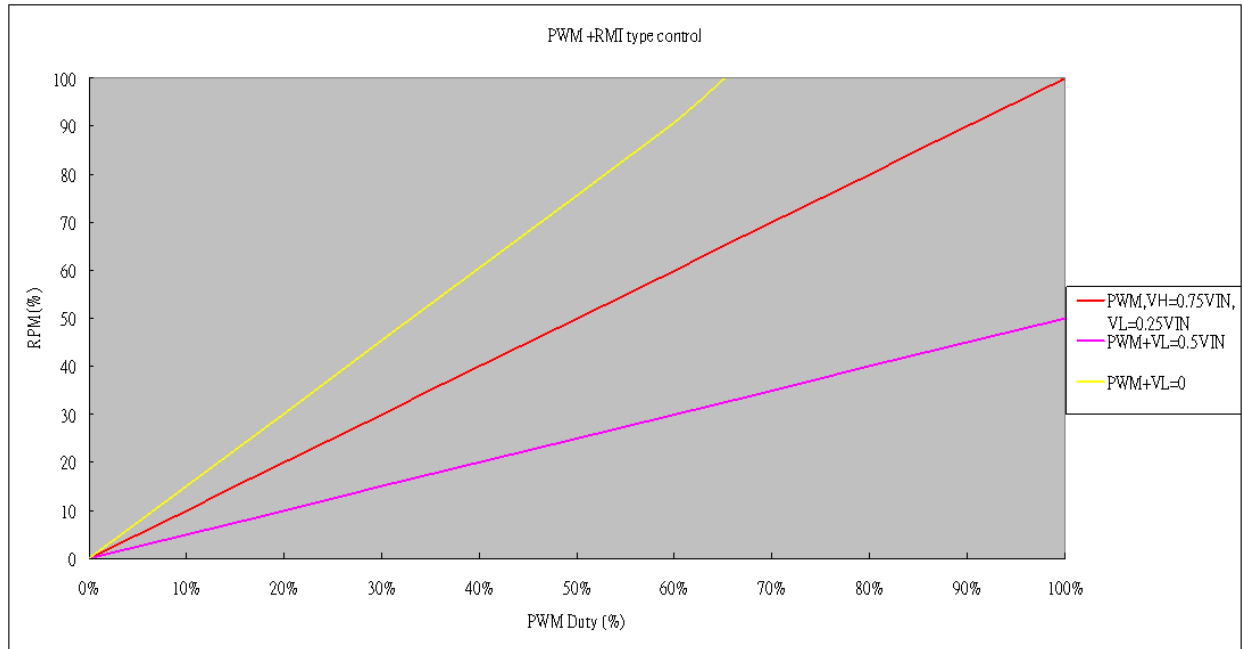


Fig.5 Slope Hi duty control

8. When PCB Layout, GND (PIN 3) & PGND (EPAD) must be short-circuited to avoid noise.

● **Lock detection, automatic restart circuit**

This IC detect the rotation of the motor by hall signal, and adjust lock detection ON time (Ton) and lock detection OFF time (Toff) by the internal counter. These time (Ton, Toff) are showed below.

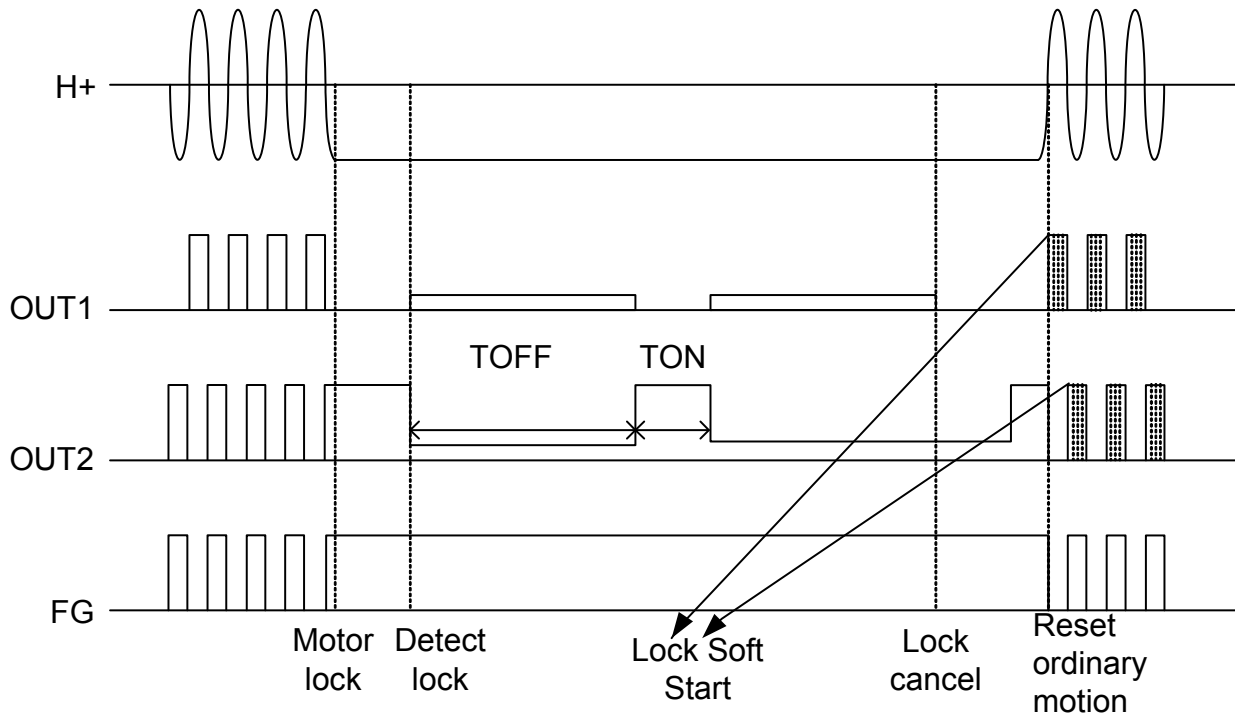


Fig.6 Lock detect and auto restart motion

Only in Lock detection ON Time (Ton), motor will be rest ordinary motion by switching over of hall signal. There is lock soft start function, When IC in reset ordinary motion, Output will shaping by 50% duty to start-up the motor, that will reduce lock start current and acoustic noise.

This IC make the lock protection function off, when the PWM input keeps low level for more than 70ms (typ.)

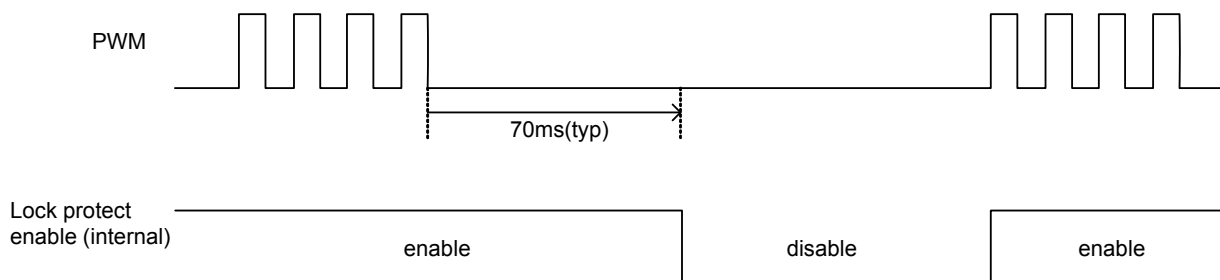


Fig.7 PWM input signal and lock protect function

Lock protect function does not work if PWM input frequency is slower than 15Hz (typ.)

So, please input faster frequency more than 20Hz

● **Soft switching function (silent drive setting)**

Input signal to hall amplifier is amplified to produce an output signal.

When the hall element output signal is small, the gradient of switching of output waveform is gentle; When it is large on the contrary, the gradient of switching of output waveform is steep. Gain of 500 times (Typ.) is provided between input and output, therefore enter an appropriate hall element output to IC where output waveform swings sufficiently.

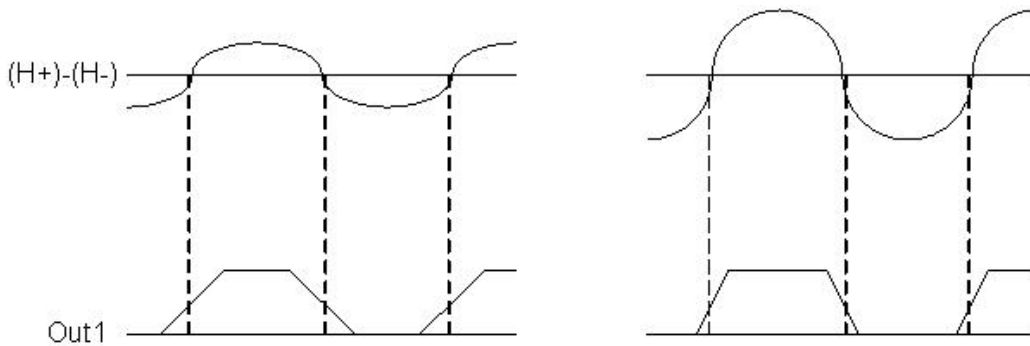


Fig.8 Relation between hall element output amplitude and output waveform

● **Hall input setting**

Hall input voltage range is shown in operating conditions.

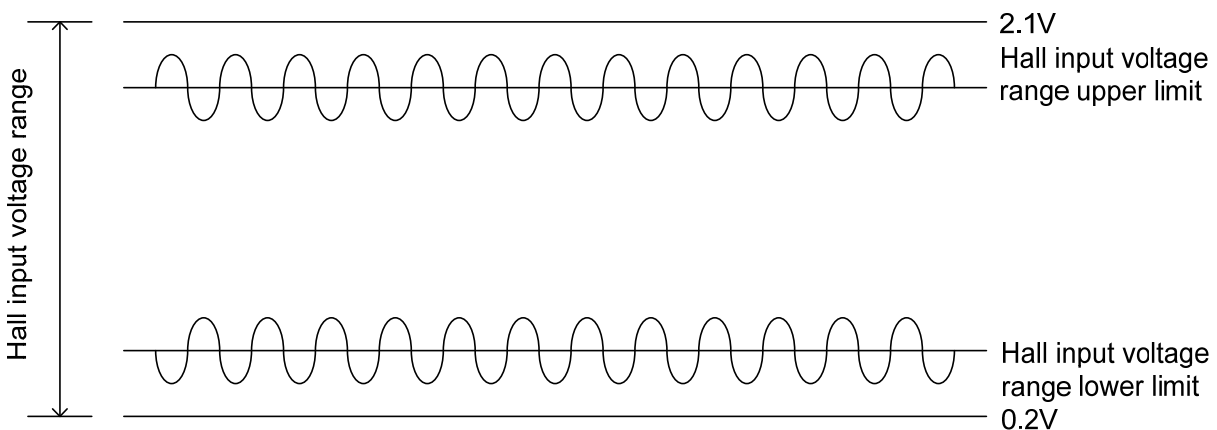


Fig.9 Hall input voltage range

Adjust the value of hall element bias resistor R1 in Fig.10 so that the input voltage of a hall amplifier is input in "hall input voltage range" including signal amplitude. Input out of the hall input voltage range may cause unexpected operation of output.

### Reducing the noise of hall signal

Hall element may be affected by the depending on the wiring pattern of board. In this case, place a capacitor like C1 in Fig.10. In addition, when wiring from the hall element output to IC hall input is long, noise may be loaded on wiring. In this case, place a capacitor like C2 in Fig.10.

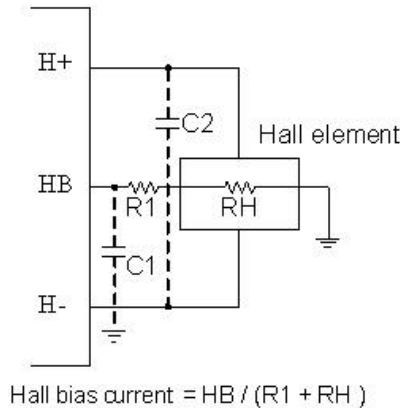


Fig.10 Application in the vicinity of hall signal

### ● PWM input

Rotation speed of motor can be changed by controlling ON/OFF of the upper output depending on duty of the signal input to PWM terminal.

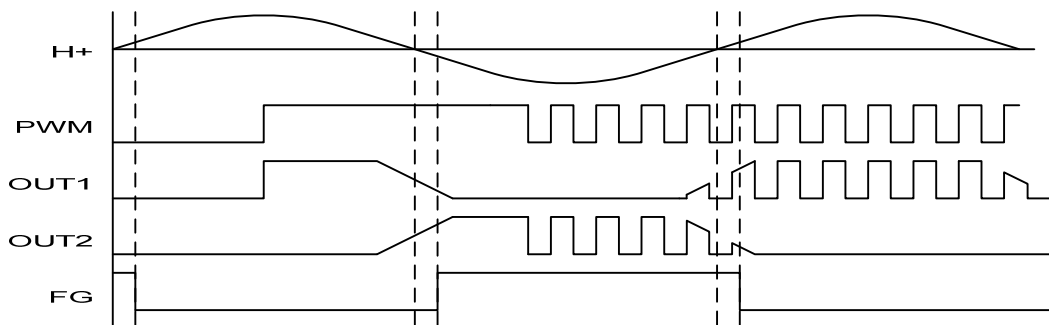


Fig.11 Timing chart in PWM control

When the voltage input to PWM terminal applies H logic : normal operation  
L logic : H side output is off

When PWM terminal is open, H logic is applied.  
 PWM terminal has hysteresis of 100mV (Typ.).

If H logic is applied to PWM terminal before Vcc voltage is applied to IC, current flows to Vcc terminal through ESD protection diode inside PWM terminal, resulting in malfunction may possibly occur.

When Vcc voltage is not apply to IC, do not apply voltage to PWM terminal.

● **Notes**

1) Absolute maximum ratings

This product is produced with strict quality control, but destroyed in using beyond absolute maximum ratings. Once IC destroyed, a failure mode cannot be defined (like short-mode or open-mode). Therefore, physical security counter measure, like fuse, is to be given when a specific mode to be beyond absolute maximum rating is considered.

2) Reverse connection of power supply

Reverse connection of the power supply may break the device. A countermeasure is needed such as using reverse current protection diodes between the power supply and the  $V_{CC}$  terminal.

3) Power supply line

The BEMF causes re-circulate current to power supply, Please connect a capacitor between power supply and GND as a route of re-circulate current. And please determine the capacitance after confirmation that the capacitance does not causes any problems.

4) GND potential

The GND terminal should be the location of the lowest voltage on the chip.

5) Thermal design

The thermal design should allow enough margin for actual power dissipation.

6) Mounting failures

Mounting failures, such as misdirection or miss-mounts, may destroy the device.

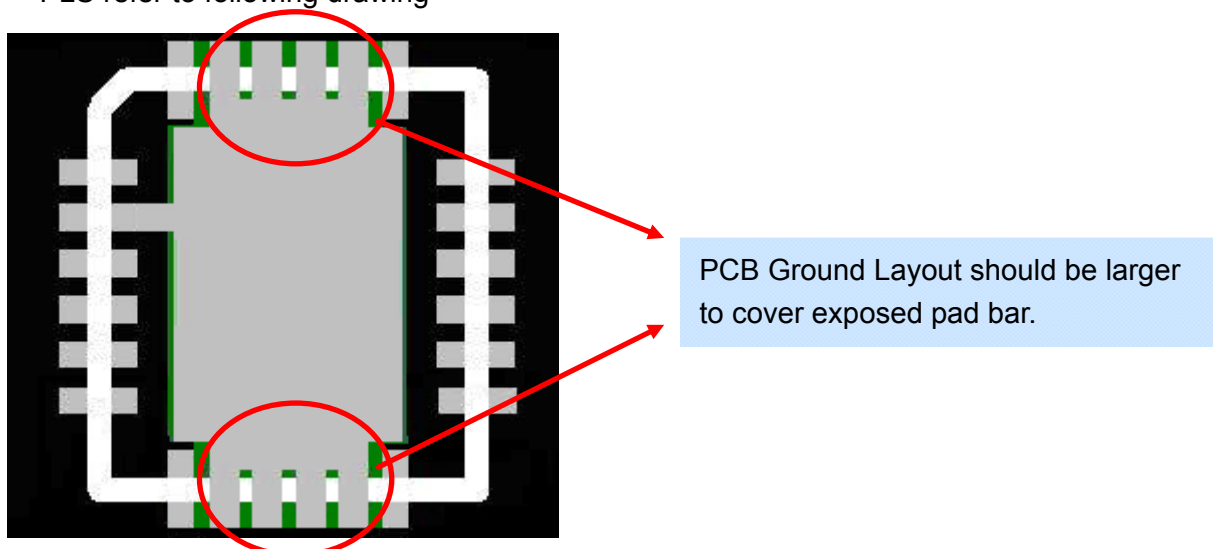
The electrical short caused by falling particle, between outputs; power supply and output; or output and ground, may damage the device.

7) Layout guide

<a> There are 2 Bars on AM7232S exposed pad, the advantage of these 2 bars is to detect if exposed pad is well mounted on PCB ground.

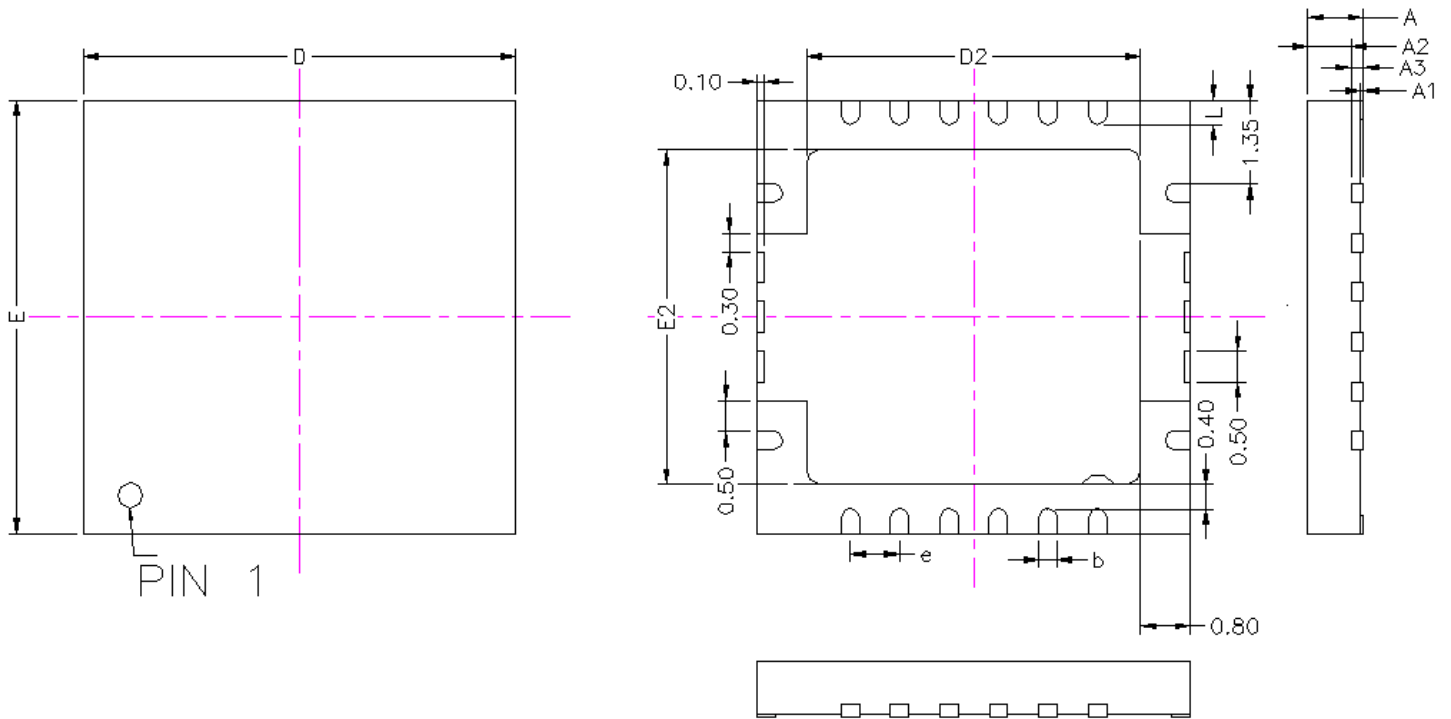
<b> The PCB ground layout should be larger enough to cover exposed pad bar in order to detect exposed pad is well mounted on PCB.

PLS refer to following drawing



● Packaging outline --- DFN 7X7 16L

Unit : mm



reference JEDEC MO229(D)VJGD-2

SYMBOL	MILLIMETERS		INCHES	
	Min.	Max.	Min.	Max.
A	-	0.90	-	0.035
A1	-	0.05	-	0.002
A2	-	0.70	-	0.028
A3	0.20 REF		0.008 REF	
b	0.20	0.40	0.008	0.016
D	7.00 BSC		0.276 BSC	
E	7.00 BSC		0.276 BSC	
D2	5.30	5.50	0.209	0.217
E2	5.30	5.50	0.209	0.217
L	0.35	0.45	0.014	0.018
e	0.80 BSC		0.030 BSC	

● **Condition of Soldering**

1).Manual Soldering

Time / Temperature  $\leq$  3 sec /  $400 \pm 10^\circ\text{C}$  ( 2 Times )

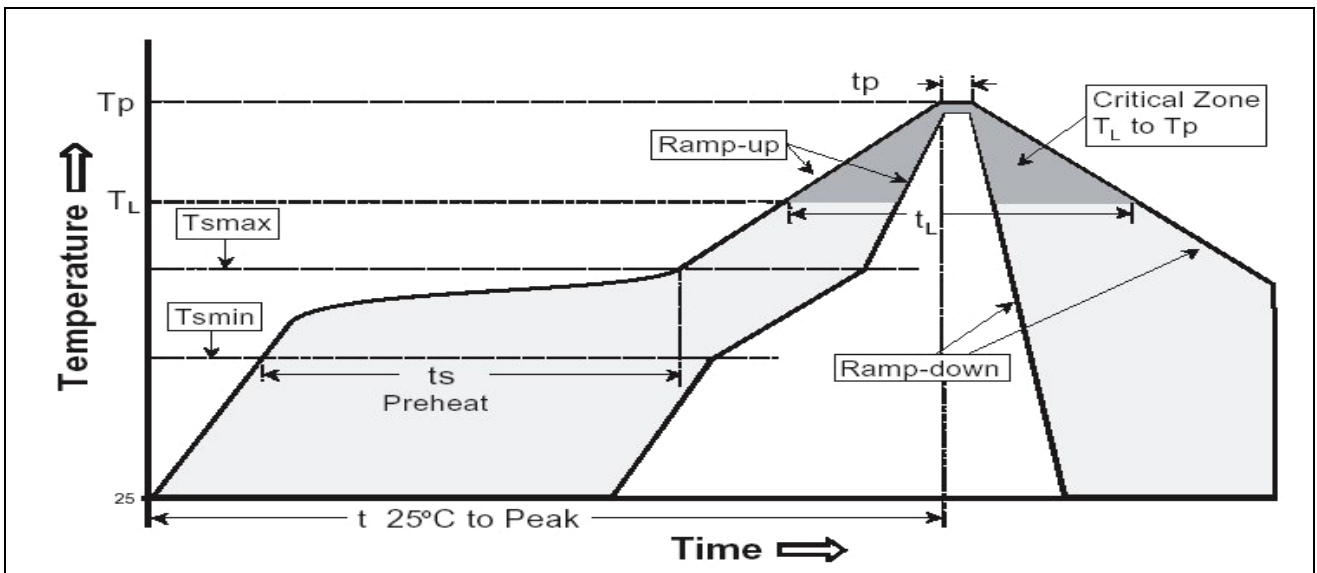
Test Results : 0 fail/ 22 tested

Manual Soldering count : 2 Times

2).Re-flow Soldering (follow IPC/JEDEC J-STD-020D)

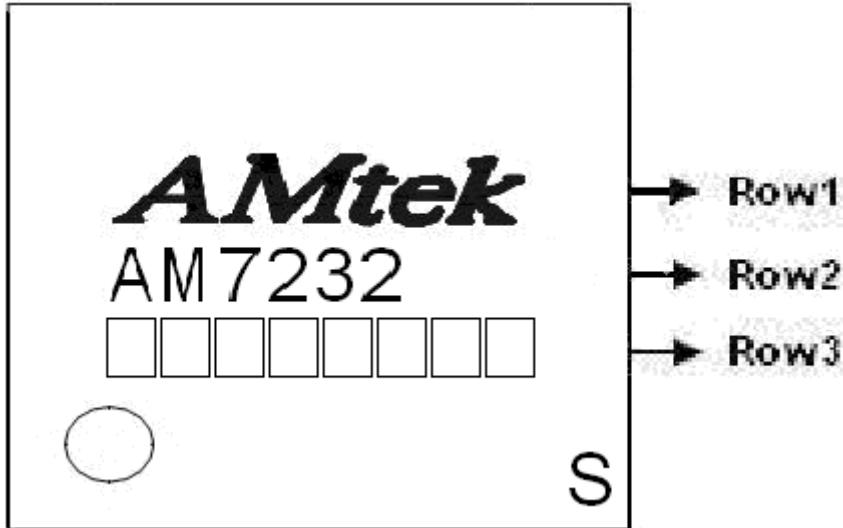
Classification Reflow Profile

Profile Feature	Pb-Free Assembly
Average ramp-up rate ( $T_L$ to $T_P$ )	$3^\circ\text{C}/\text{second}$ max.
Preheat	
- Temperature Min ( $T_{s\ min}$ )	$150^\circ\text{C}$
- Temperature Max ( $T_{s\ max}$ )	$200^\circ\text{C}$
- Time (ts) from ( $T_{s\ min}$ to $T_{s\ max}$ )	60-120 seconds
$T_{s\ max}$ to $T_L$	
- Temperature Min ( $T_{s\ min}$ )	$3^\circ\text{C}/\text{second}$ max.
Time maintained above:	
- Liquid us temperature ( $T_L$ )	$217^\circ\text{C}$
- Time ( $t_L$ ) maintained above $T_L$	60-150 seconds
Peak package body temperature ( $T_p$ )	$260 +0/-5^\circ\text{C}$
Time with $5^\circ\text{C}$ of actual Peak	30 seconds
- Temperature ( $t_p$ )	
Ramp-down Rate	$6^\circ\text{C}/\text{second}$ max.
Time $25^\circ\text{C}$ to Peak Temperature	8 minutes max.



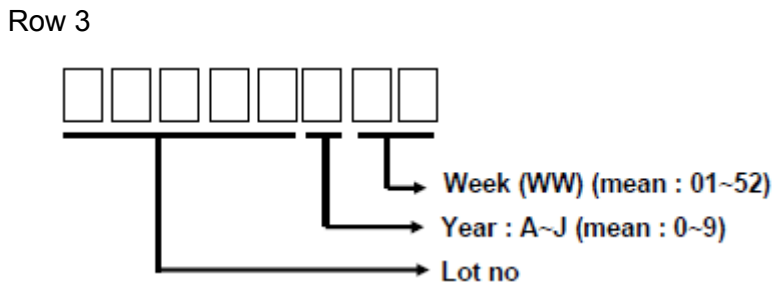
Test Results : 0 fail/ 32 tested Reflow count : 3 cycles

● **Marking Identification**



Row 1  
AMtek

Row 2  
Part number



Week : Assembly Date Code

Year : Assembly Year

( Year\_A=0,B=1,C=2,D=3,E=4,F=5,G=6,H=7,I=8,J=9, exp 2012=C )

Lot no : Wafer Lot No